

2021 MURPHY BED CATALOG



Murphy Beds for every budget

Sleepworks
The Authority In Natural Organic Hand-Crafted Mattresses

SLEEPWORKSNY.COM

Massapequa Park
(516) 804-0123

Bayshore
(631-647-7900

Patchogue
(631) 730-8250



OV50 2) NQS in White with gold handles

METRO CLEAN AND CRISP

Queen size OV50

Full size OV46

Twin size OV33

Put your Murphy Wallbed to good use by adding a rolling desk cart. SKU:DC
Now you have a functional work space with plenty of room to spread out and a comfortable extra bed. Simply roll the DESK CART aside when you want to open the bed.

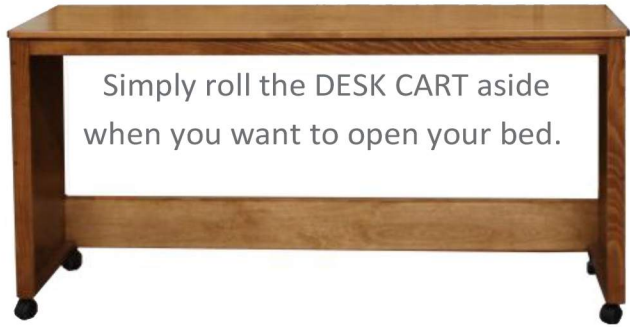
options found on the last pages



Flexible Work Space

DESK CART

Simply roll the DESK CART aside when you want to open your bed.

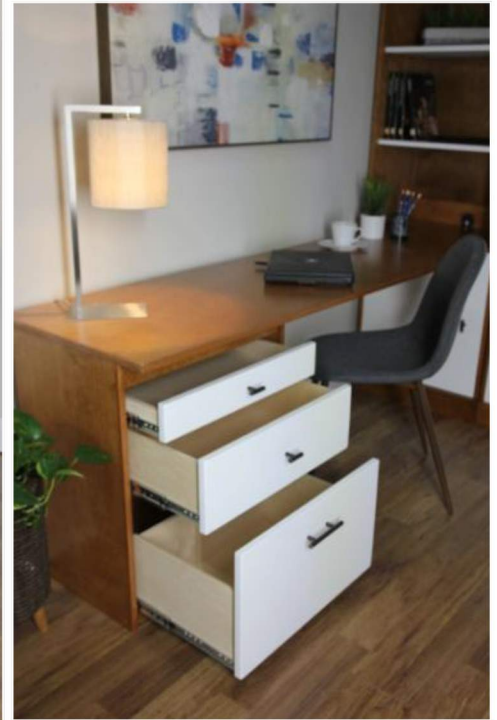


OV50 DC FC in SUNSET FINISH





OFFICE AT HOME
 GUEST ROOM SOLUTION
 The peninsula desk can be added to any of our wallbed models. The desk features a lateral file drawer and two smaller drawers.



SKU: OV50, DCQ, FD IN WHITE WITH SUNSET CABINET

METRO TWO-TONED



SKU: OV50, (2) NQS IN WHITE WITH BARK GRAY CABINET

options found on the last pages



AS SHOWN: FV50 with two TQS in Bark Gray Finish

FERN FV50 QUEEN 65" W X 17" D X 90" H



MADE IN THE USA



As Shown: DV50 DFL LD IN BARK GRAY FINISH

DALE

HOME OFFICE DESK AND BED

Uses 97" of
wall space
67" LONG
DESKTOP
extends into
the room 85"
from the wall.

Below the
shaped desktop
is a double
door cupboard
with one ad-
justable shelf
inside.

MADE
IN THE USA





The Dale was designed to complement the new trends in evolving furniture design. We craft the Dale with individual planks of wood, randomly selected, to make each piece unique.

DALE SKU: DV50



As Shown: DV50 PCF PTF IN COGNAC FINISH



NIGHTSTAND features two medium drawers and a pencil drawer. It fits up flush next to the wallbed and also has the baseboard notch so it fits up flush to the back wall.



DV50 NS



SKU EV50 WITH (2) TQS IN BARK GRAY

EURO

QUEEN SIZE EV50

FULL SIZE EV46





EURO SKU: EV50 EV46

The Euro is available in both the Queen and the Full Vertical size. Shown Above —Queen Euro and two 24" wide 2 drawers with a pull out tray storage pier cabinets.

(EV50, (2) PNQ)

Shown Right— Queen bed with 85" tall side pier cabinets for a step down look. These are the 16" wide storage nightstand pier cabinets.

(EV50, (2) NFS)

LED LIGHTS are available to add to any of our wallbeds. On/Off switch and USB



MADE
IN THE **USA**

Options are subject to change without notice

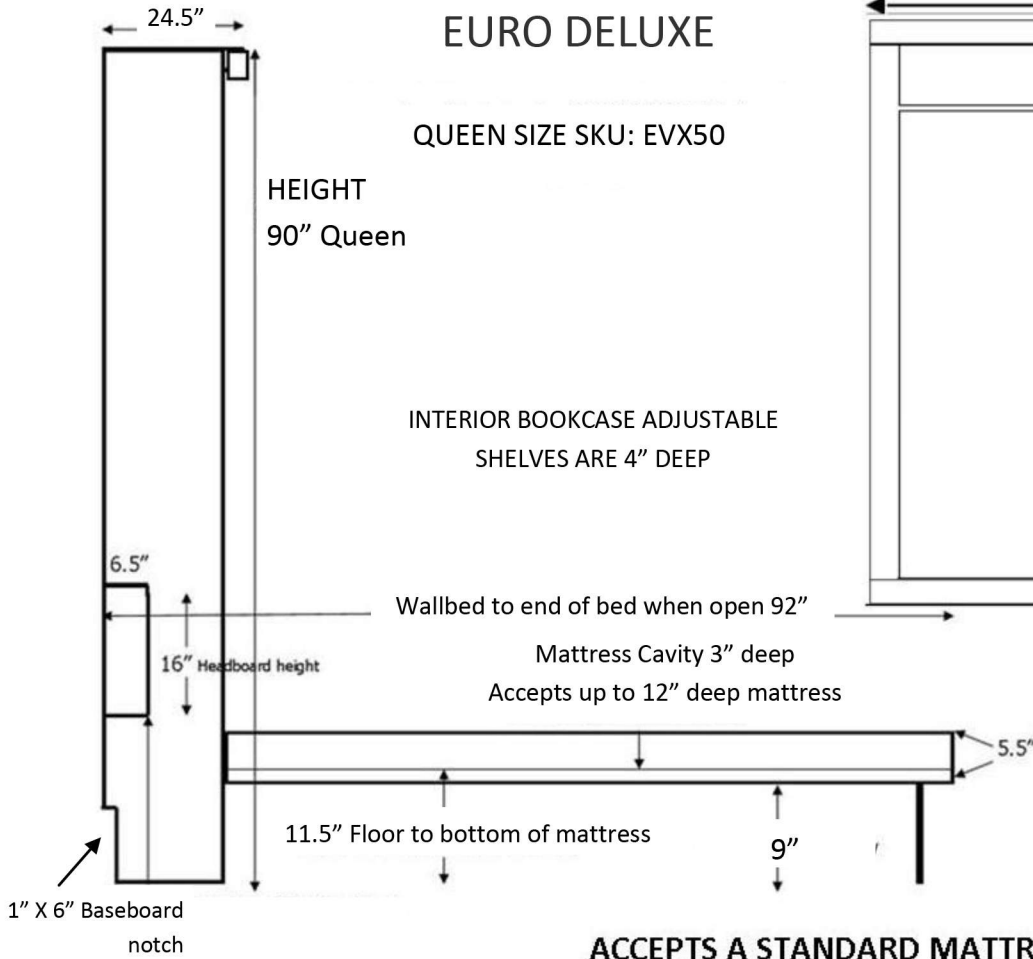
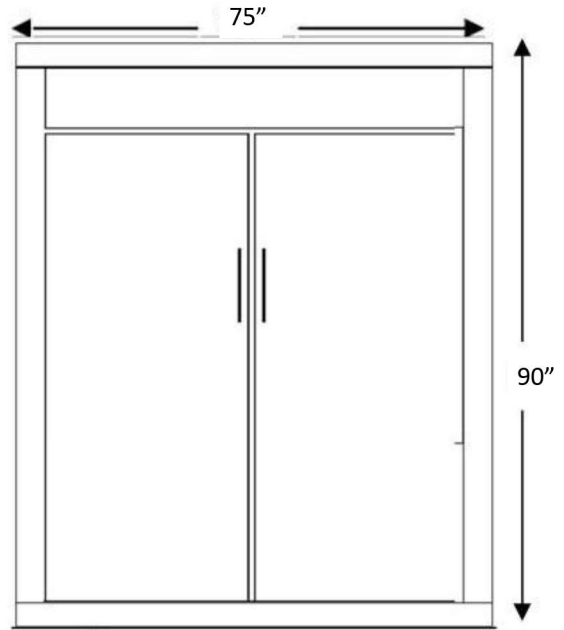
ANY

EURO DELUXE

QUEEN SIZE SKU: EVX50

HEIGHT
90" Queen

INTERIOR BOOKCASE ADJUSTABLE
SHELVES ARE 4" DEEP



REQUIRES A 96" CEILING
HEIGHT TO INSTALL

ACCEPTS A STANDARD MATTRESS UP TO 12" THICK

DALE FERN METRO EURO

Queen requires a 96" ceiling height to install
Full and Twin require a 91" ceiling height to install

MUST BE SECURELY FASTENED THROUGH THE BACK
OF THE TOP ASSEMBLY INTO 3 WALL STUDS

HEIGHT
90" Queen
85" Full

Wallbed to end of bed when open

86" Queen
81" Full
81" Twin

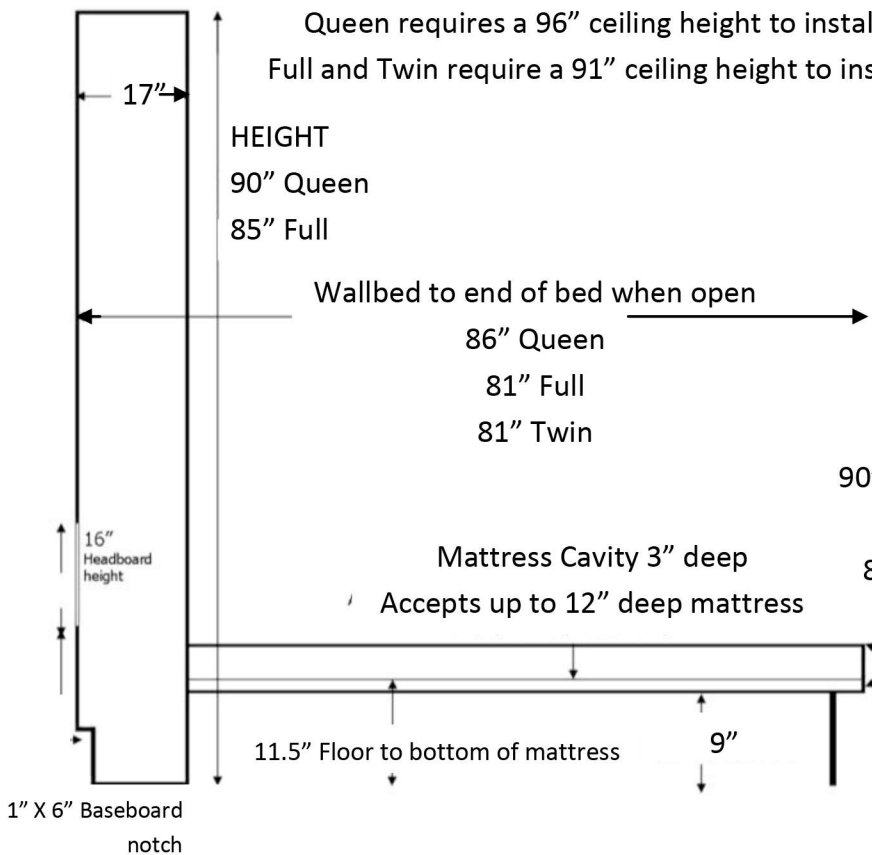
HEIGHT
90" Queen
85" Full
85" Twin

Mattress Cavity 3" deep
Accepts up to 12" deep mattress

DALE QUEEN DV50
FERN QUEEN FV50

METRO QUEEN OV50
METRO FULL OV46
METRO TWIN OV33
METRO XL TWIN OX33

EURO QUEEN EV50
EURO FULL EV46



BED WIDTH
65" Queen 59" Full 44" Twin



LED LIGHTS are available to add to any of our wall-beds. On/Off switch and USB charging port found on the headboard. Specify silver or black.



SKU EVX50
2 TFS CABINETS

EURO DELUXE has a dramatic curved top, interior bookcases on each side of a shelf headboard. Interior shelves are 4" deep and adjustable. We've taken our EURO front and added a deeper cabinet to make it the Deluxe version. The side pier cabinets step back from the Wallbed for a dramatic look. For a stepped look order full size 85" tall side storage cabinets.

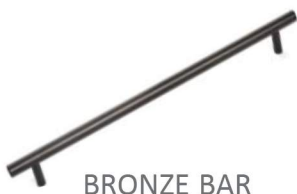
EURO DELUXE SKU: EVX50

measures: 75" wide x 25" deep x 90" high
bed extends 92" into the room when opened
Accepts a standard Queen size mattress up to 12" thick

SEE BACK PAGE FOR
SIDE STORAGE
CABINET OPTIONS.



SATIN NICKEL BAR



BRONZE BAR



SKU EVX50, PTF, PWF



AS SHOWN: LV50 WITH TWO PNF STORAGE PIERS IN CARAMEL





SUNSET FINISH

LODGE SKU: LV50 QUEEN 68.5" w 18.5" d x 92" h

Welcome your guests with the warm feel of a cozy lodge. The Lodge features a wrap around crown molding on the cabinet top with side storage cabinets that step down for a dramatic effect.





KEYSTONE



BARK GRAY

MURPHY DESK offers you a functional work space then folds up and out of the way when not in use. It opens to a 48" long desktop. Above the desk are three adjustable shelves. Behind the bottom door is another adjustable shelf
 DESK SKU: PAF



options on last page



AS SHOWN: KV50, PUF, PAF in Caramel Finish

KEYSTONE

SKU: KV50 QUEEN 68.5" w 18.5" d x 92" h

By simply grasping the center handles, use your body weight to help the bed open very slowly toward the floor. Once partially opened the bed will float down the rest of the way to the floor.



Some models not available in all markets * Options are subject to change without notice * Made in the U.S.A.



AS SHOWN: GV50, (2)NFS IN CARMEL

GLEN ELLYN SKU: GV50



CODY BRONZE



CODY BLACK



CODY NICKEL



BRUSHED GOLD

Some models not available in all markets * Options are subject to change without notice

MADE USA
IN THE

GLEN ELLYN

You can't help but notice the beautiful intricate design pattern of the

GLEN ELLYN

Murphy Wallbed.

All this beauty and a comfortable bed for your guests to enjoy!

Shown here with a Murphy Desk that folds away when not in use.

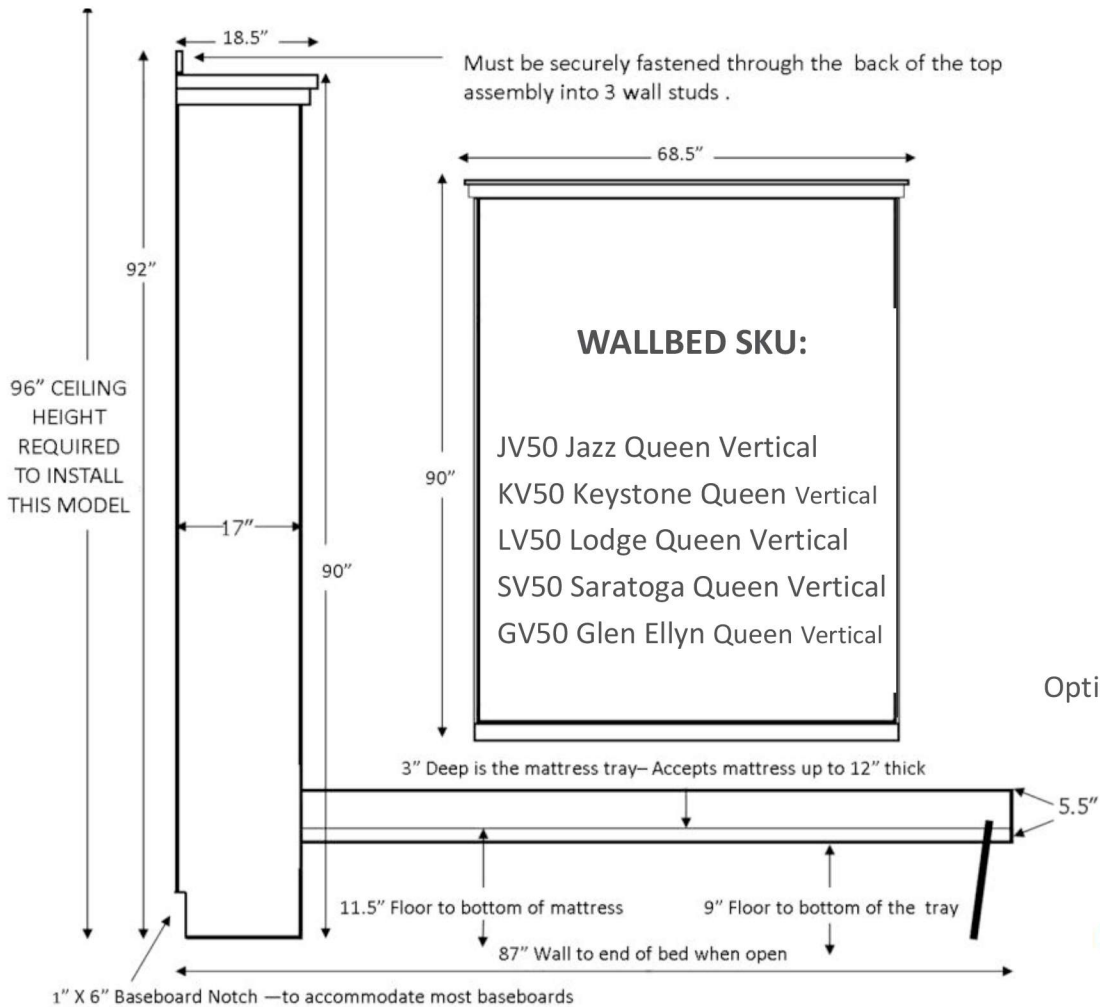
Shown in cinnamon finish



JAZZ SKU: JV50



BARK GRAY FINISH



Options on Back Page

MADE USA
IN THE

SARATOGA

The SARATOGA is made in the U.S. from farm grown European Beech solids and domestic veneers for superior durability. It features a mattress box surround (mattress not included) so your bedspread can remain in place when you close your bed. Accepts standard mattress up to 12" thick. We notch out the cabinet back 1" x 6" to accommodate most baseboards. Floating safe piston lift mechanism. By simply grasping the center handles, use your body weight to help the bed open very slowly toward the floor. Once partially opened the bed will float down the rest of the way to the floor.

QUEEN SIZE SKU: SV50



CAMEL FINISH





SKU: NV50 with PNF, DFL and LD

NANTUCKET

The NANTUCKET has a recessed panel front and features a bead board accent. ADD A DESK Make use of your space by adding a large shaped desk. The desk base comes with three drawers; pencil, lateral file and a medium drawer.

QUEEN SIZE NV50

65"W X 17"D X 90"H

FULL SIZE NV46

59"W X 17"D X 85"H

YELLOWSTONE

The YELLOWSTONE has a recessed panel front with solid beech molding applied to create a barn door effect. Generous storage is found by

adding a wardrobe cabinet. Behind the large door is a place to hang your clothes and below are 3 capable sized drawers.

AS SHOWN:
YV46 with PWF
In Caramel finish

QUEEN SIZE YV50
65"W X 17"D X 90"H

FULL SIZE YV46
59"W X 17"D X 85"H



MADE
IN THE USA



RV50 with (2) PWQ

RYLAND

QUEEN SIZE RV50

FULL SIZE RV46

GENEROUS STORAGE

On both sides of this wallbed you will find ample storage in our wardrobe cabinets. Behind the door is a clothes hangar and below are three good sized drawers.

Crown molding is flush on the sides so you can match up the storage pier cabinet for a tight fit. Choose Queen Height Piers when you want the pier to match the height of a Queen Wallbed. Great when your wall can only fit one storage pier. For a step down look, go with the Full Height piers which are 5" shorter and match the height of a full size wallbed.

options found on the last pages





PORTOLA

THE HORIZONTAL MODEL IS THE ROOM SOLUTION when you just can't fit the taller Vertical model. It is only 70.5" high and extends into the room only 66" when open.

TO OPEN: Lift the panel foot. Grab the hand hole and use your body weight to help the bed open very slowly toward the floor.

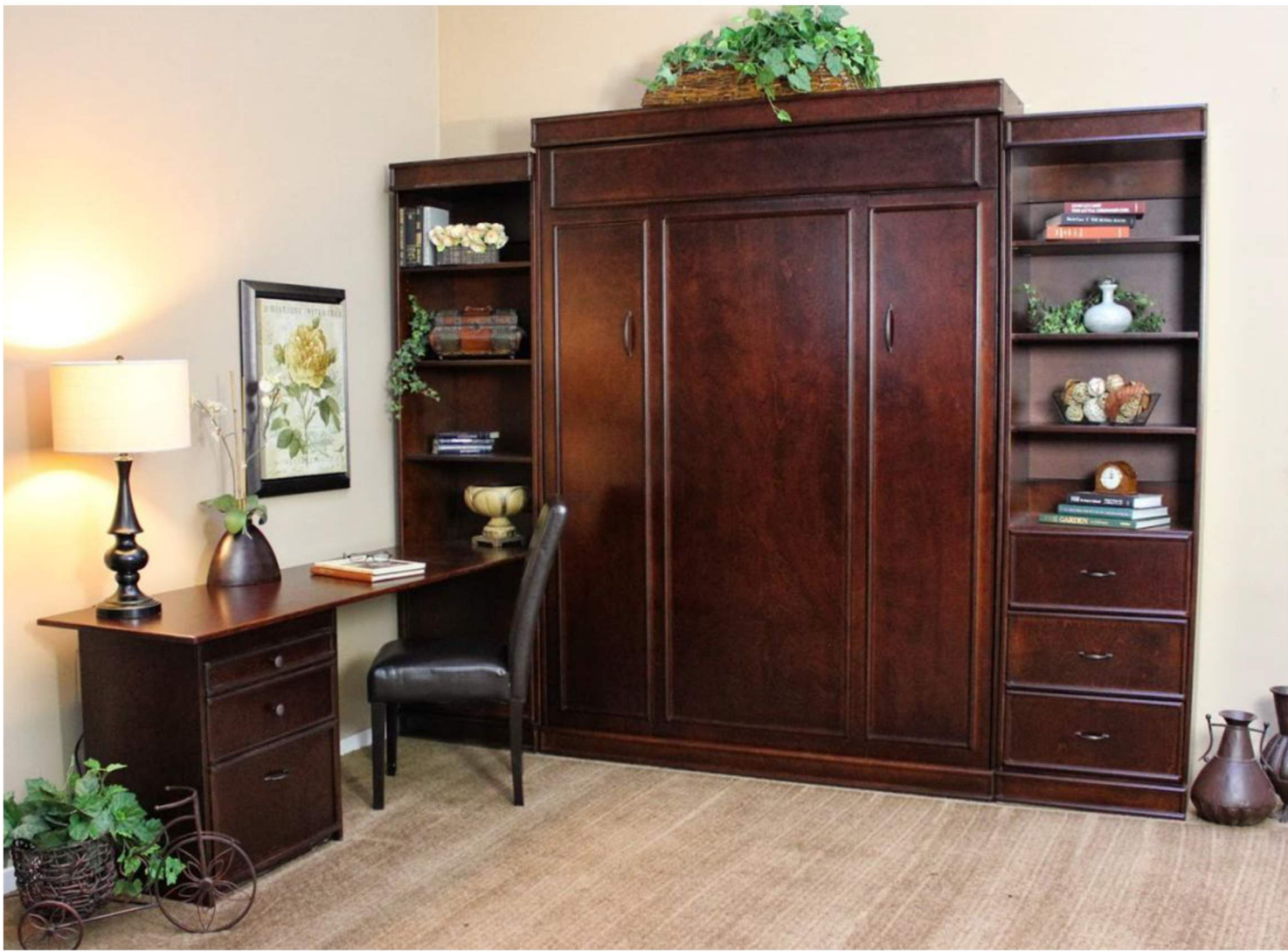
Once partially opened the bed will float down the rest of the way to the floor.

MADE **USA**
IN THE

AS SHOWN: PS50 in CAMEL FINISH



Options on Back Page



ABOVE: PV50 PTF PCF FD in CINNAMON FINISH

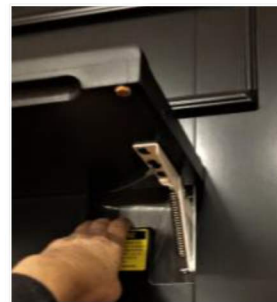
BELOW: PV50 PCQ FD in CINNAMON FINISH



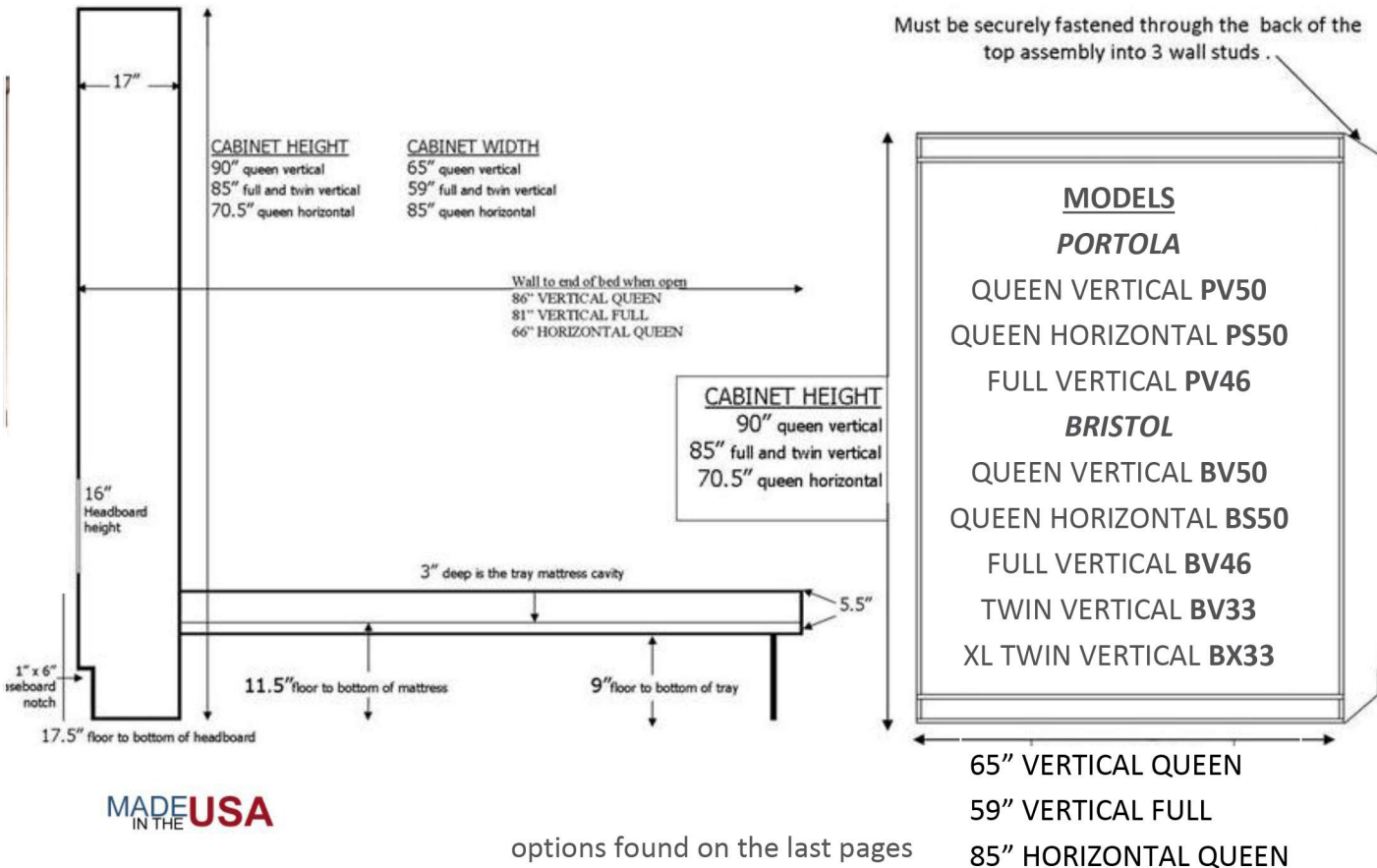
Add a work space with the peninsula desk. The desk can go on either side of the wallbed. The desk features a lateral file drawer, a medium drawer and a pencil drawer.



CHOCOLATE FINISH



TO OPEN— lift the panel foot near the top and grasp the hole, use your body weight to help the bed open very slowly toward the floor. Once partially opened the bed will float down the rest of the way to the floor.



MADE IN THE USA

options found on the last pages

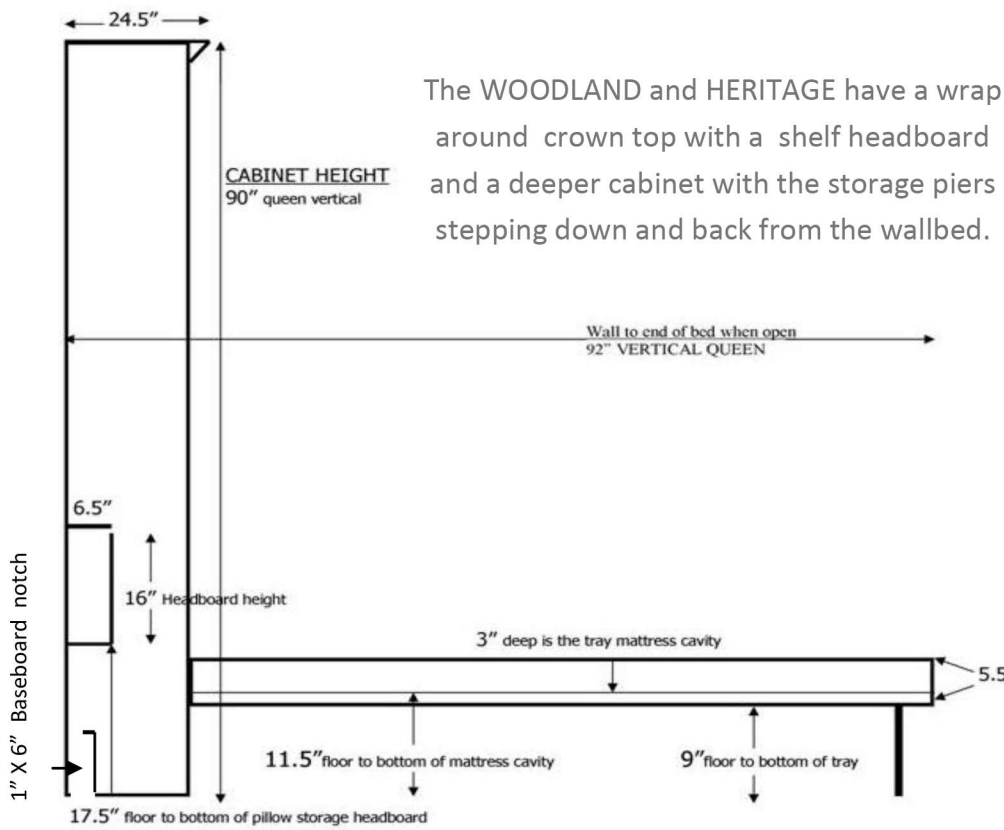


BV50 PUF PNF IN CARAMEL FINISH

BRISTOL

LED LIGHTS are available to add to any of our wallbeds. On/Off switch and USB charging port found on the headboard. Silver or black.





The WOODLAND and HERITAGE have a wrap around crown top with a shelf headboard and a deeper cabinet with the storage piers stepping down and back from the wallbed.



MADE IN THE USA CINNAMON FINISH

HERITAGE QUEEN VERTICAL SKU: HV50

WOODLAND QUEEN VERTICAL SKU: WV50

HERITAGE SKU: HV50



HV50 (2)PUF in white finish

options found on last pages



WRAP CROWN MOLDING



WOODLAND SKU: WV50



AS SHOWN: WV50 WITH 2 NFS PIER CABINETS IN SUNSET FINISH



© WALL

COGNAC FINISH



TABLE BED

YOU COULD START UP A FAMILY GAME NIGHT, MAKE A COZY QUILT, SHARE A MEAL OR SPREAD OUT YOUR PROJECT WITH PLENTY OF ROOM TO WORK. HIDDEN INSIDE IS A COMFORTABLE EXTRA BED.

The table bed comes in two styles and a variety of finishes, so you can easily match the décor of your home.



The large table is a space saver as it hides away when not in use, freeing up a big area during the day, making any space more livable.



The table is virtually undetected and concealed in the face of the Murphy table bed and is not simply planted onto the wallbed.

To open, simply lift the panel foot, unlock the button locks and while holding the table, lower it down as you rotate the legs underneath for support.

When you are done, lock the table back into place then with the panel foot lifted, reach in and pull gently on the Murphy wallbed to lower your bed for a good nights sleep.



AS SHOWN: EVT50 WITH 2 NFS IN WHITE FINISH



EURO

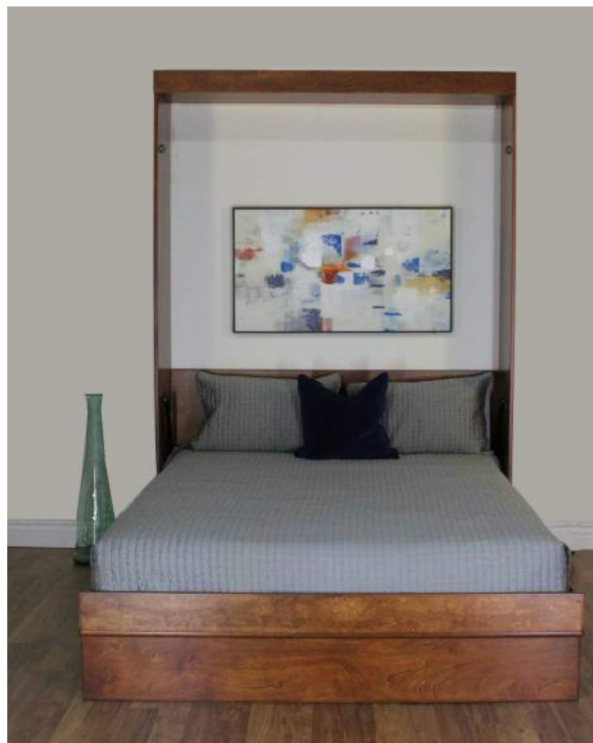
TABLE BED

SMART ENGINEERING

Two button locks keep the table hidden in the Wallbed face. Lift the panel foot, release the button locks while keeping a hold of the table. Lower the table slightly to flip the legs around and lower the table to rest on the legs. The EURO TABLE BED features a wood mattress box surround where you tuck in your bedding -no need to remove the bedding to close up the bed.



AS SHOWN: EVT50 IN COGNAC FINISH



LED LIGHTS are available to add to any of our wallbeds. On/Off switch and USB charging port found on the headboard. Specify silver or black.

MADE USA
IN THE

EURO DELUXE

has a dramatic curved top, Interior bookcases on each side of a shelf headboard. Interior shelves are 4" deep and adjustable.

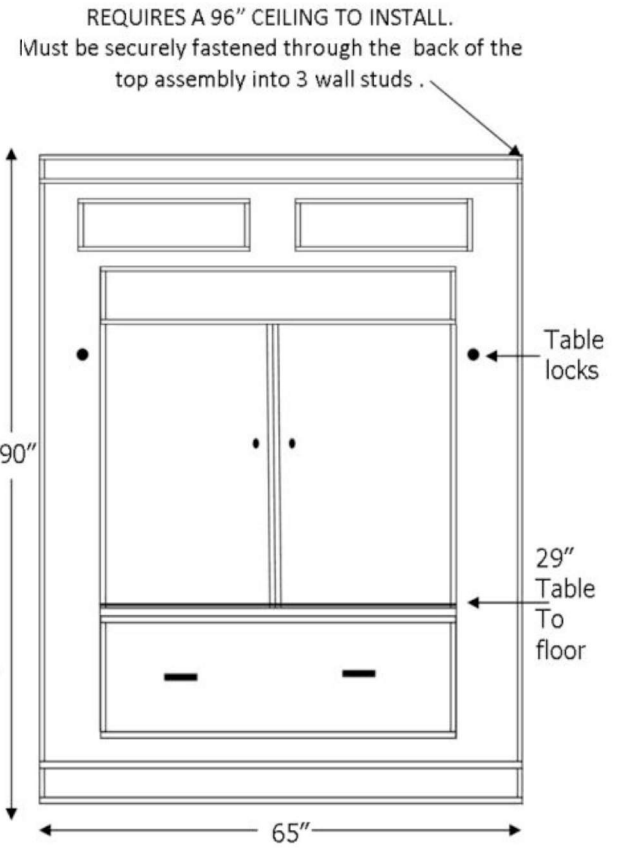
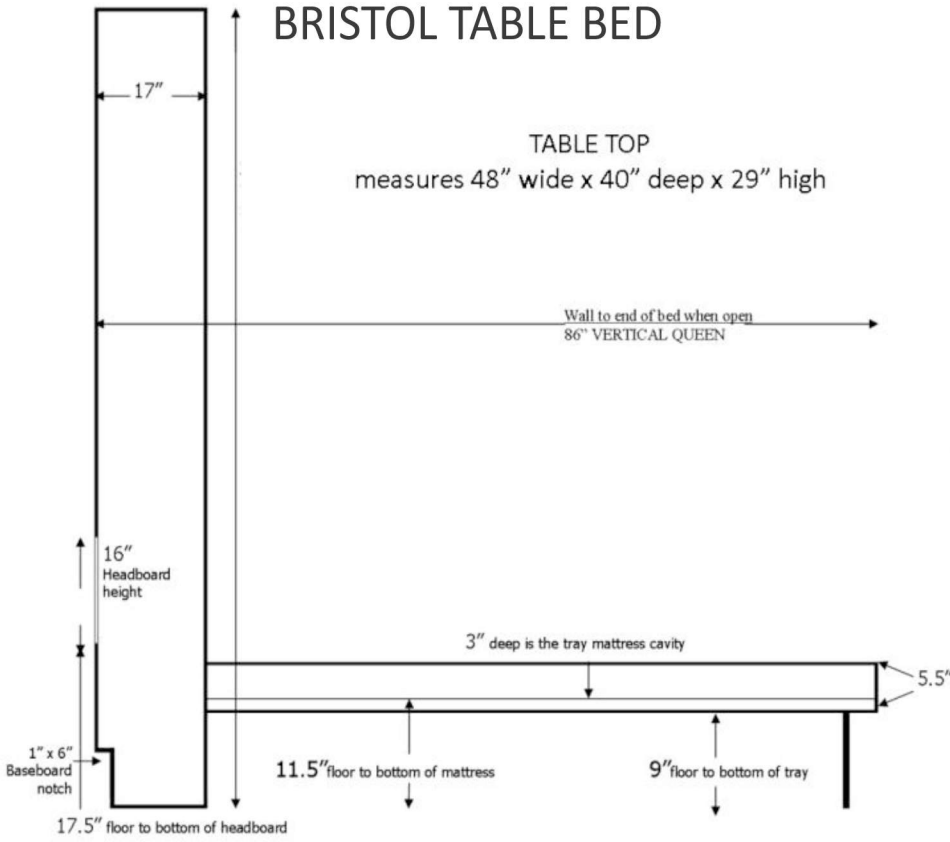
We've taken our EURO front and added a deeper cabinet to make it the Deluxe version. The side pier cabinets step back from the wallbed for a dramatic look. For a stepped look order full size 85" tall side storage cabinets.



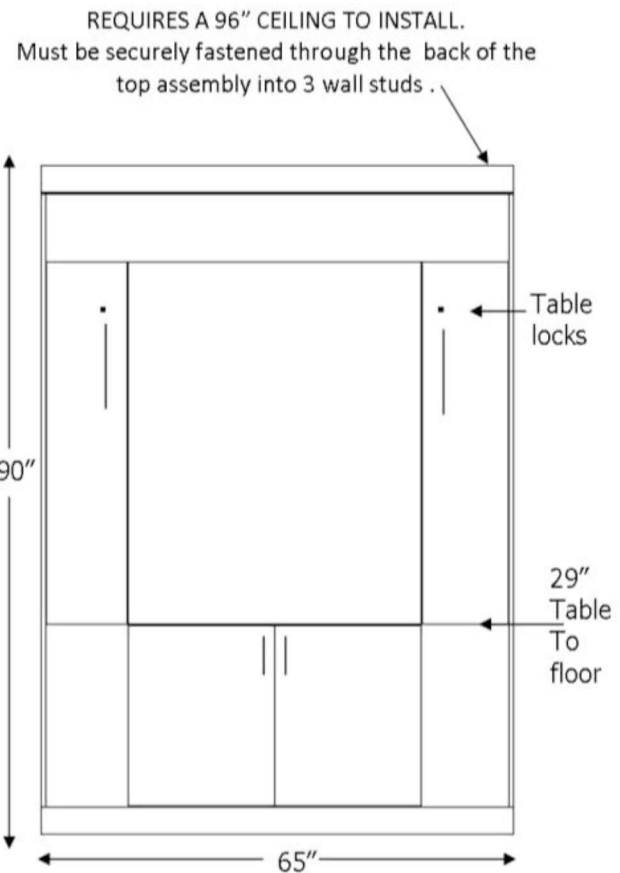
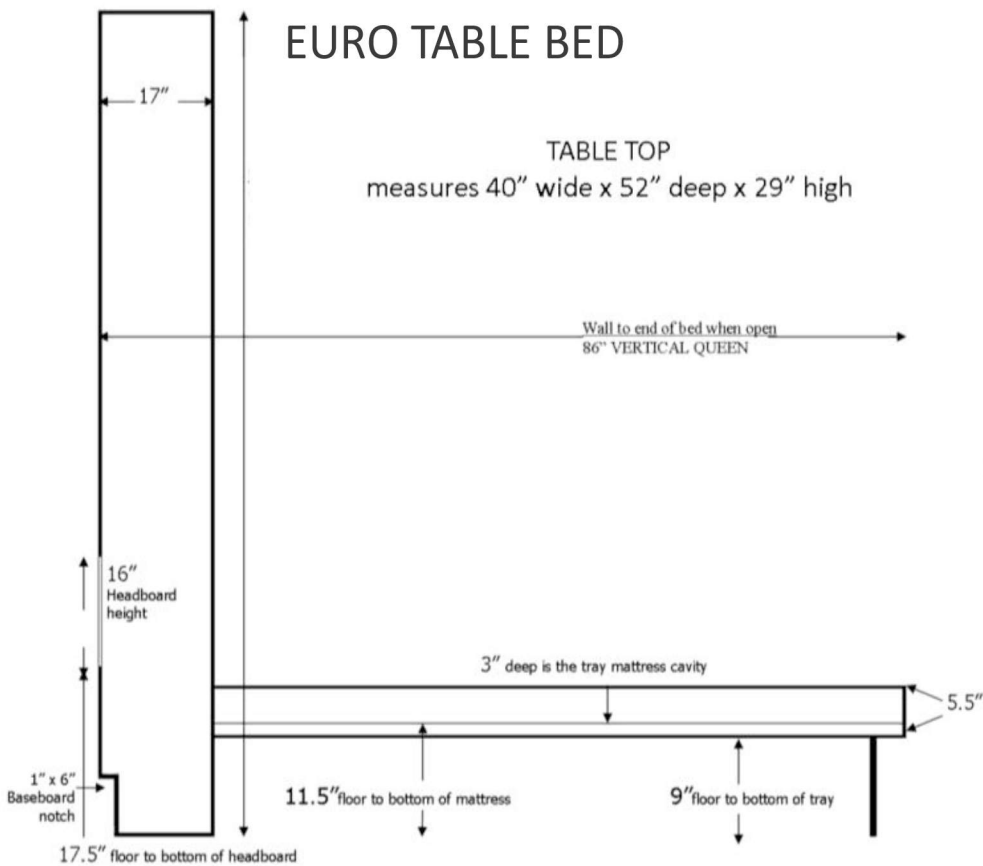
SKU: EVXT50 WITH 2 NFS IN NATURAL FINISH



BRISTOL TABLE BED



EURO TABLE BED





BRISTOL TABLE BED

BVT50 PUF PNF IN CARAMEL FINISH



Some models not available in all markets * Options are subject to change without notice



desk bed system

a desk bed gives you a large work surface to spread out your project
with plenty of room

everything remains on the desktop

when you bring down the bed for a restful nights sleep



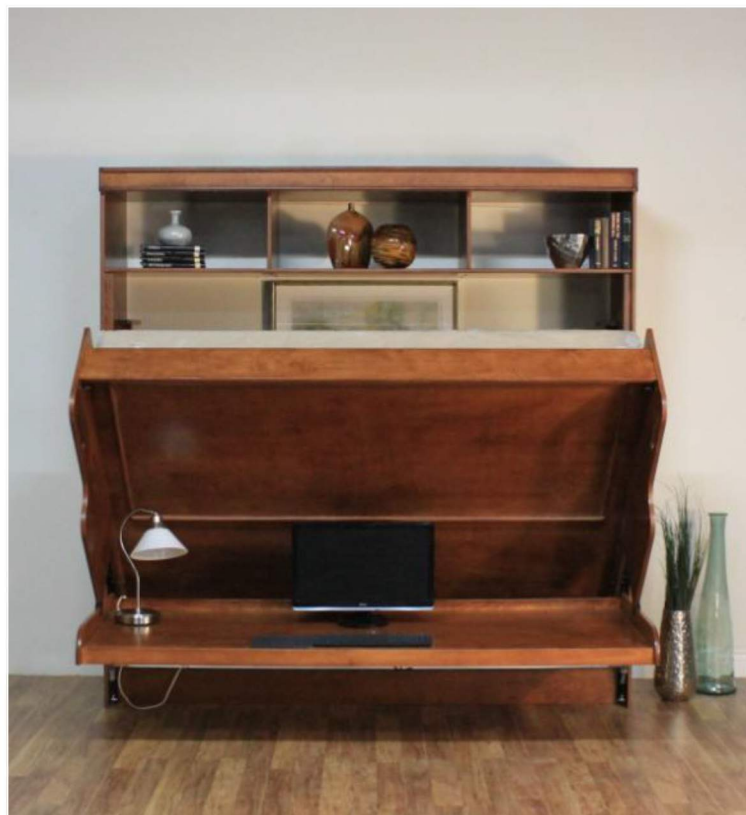
The Desk Bed is a perfect solution when you need both a bed and work station in one. There is no need to clear off your desktop at bed time, because the whole desk simply compacts down when levered and stays horizontal the entire time. Items up to 18" can remain on the desk when the bed comes down. Our desktop is reinforced to handle twice the load specified. The bed is balanced with pistons to easily transform from office to bed.

**SMART
ENGINEERING**

Large desktop for all your projects. Wood mattress surround to tuck in your bedding-no needs to remove the bedding to close up the bed. Pillows do need to be removed.

Accepts a standard mattress up to 10" thick

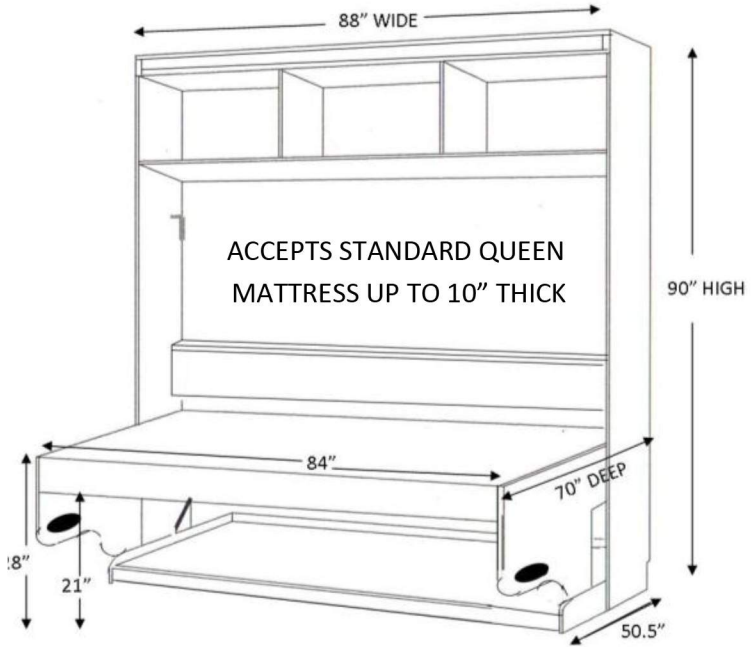
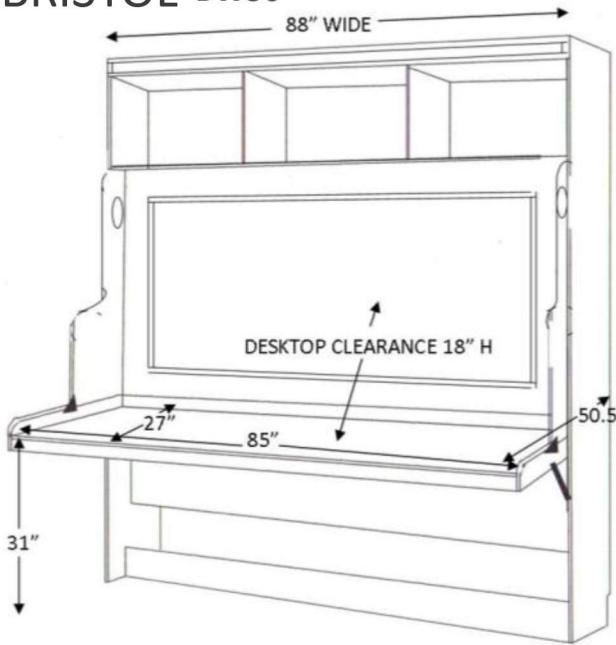
**BRISTOL
DESKBED
WITH HUTCH**



Some models not available in all markets

BRISTOL DESK BED WITH HUTCH IN COGNAC FINISH SKU:BW50R

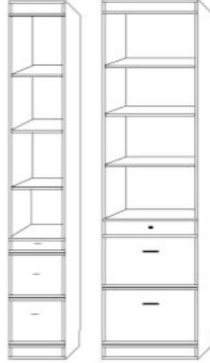
BRISTOL BW50



STORAGE CABINETS— COMPLETE OFFERING ON PAGE 28



SKU: FC
FILE CART
 LATERAL FILE
 DRAWER WITH
 2 ADDITIONAL
 DRAWERS. FITS
 UNDER THE
 DESK. ROLLS
 AWAY TO
 LOWER THE BED.



2 LATERAL FILE
 DRAWERS
 AND A PENCIL
 DRAWER
LQS 16\"/>



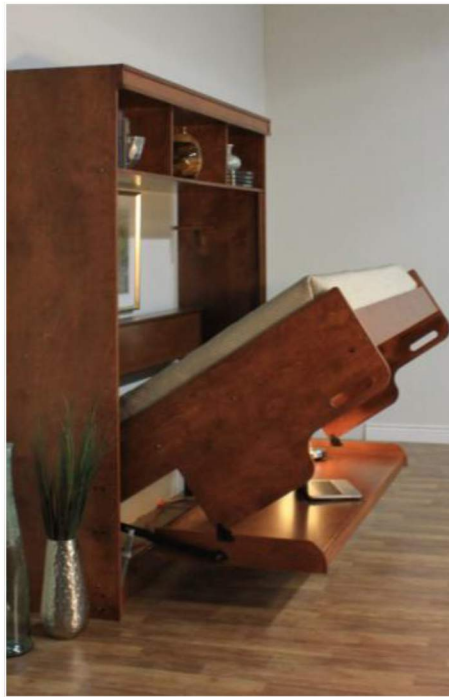
WARDROBE DOOR WITH
 CLOTHES HANGAR,
 2 LATERAL FILE DRAWERS
 AND A PENCIL DRAWER
PXQ -24\"/>



BW50 with FC in GRAY

MADE USA
 IN THE

Some models not available in all markets



LARGE WORK SPACE measures 27" deep x 84" long for all your projects. Wood mattress surround to tuck in your bedding-no needs to remove the bedding to close up the bed. Pillows do need to be removed.

Accepts a standard mattress up to 10" deep

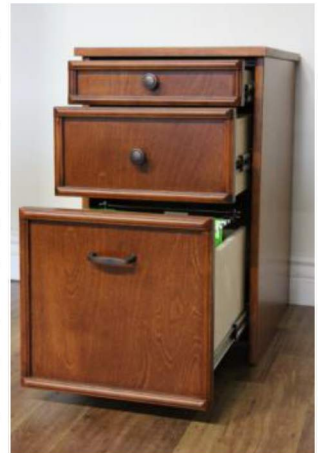
SHELF HEADBOARD Is a handy spot for your personal items to rest and becomes the perfect spot to store your pillows when you close up the bed.



COGNAC FINISH

TO OPEN-stand to one side and grab the top of the side of the desk and pull. Once started the piston lift system takes over as the bed with the desk slowly descend down to the floor.

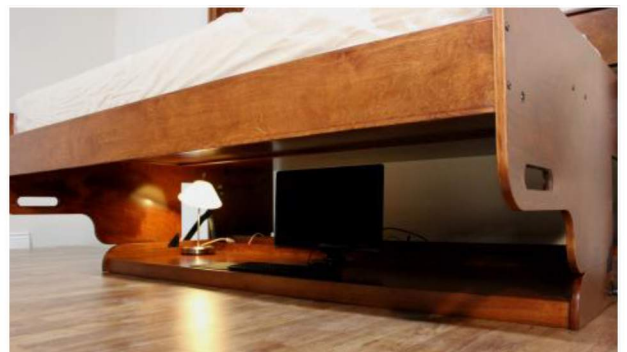
ROLLING FILE CART-Fits under the desk. Simply roll aside when you lower the bed down. Includes a lateral letter size file drawer, a medium drawer and a pencil drawer. Comes with a finished back .

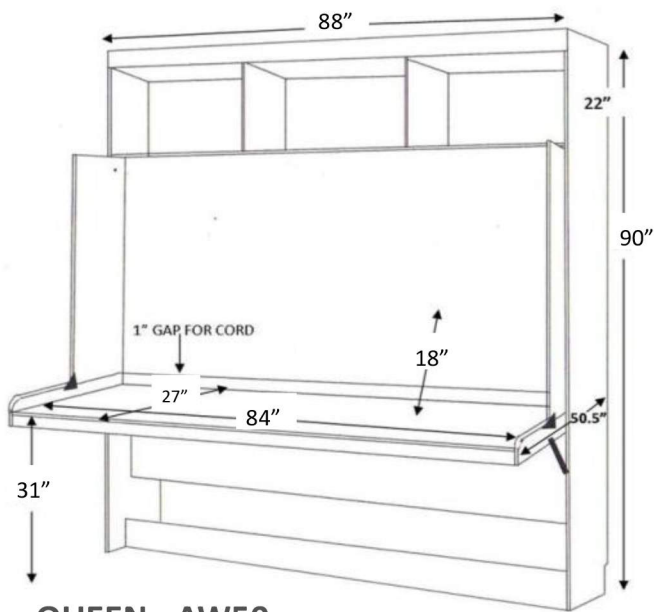


CART MEASURES:

16 5/8" wide x 28 1/2" high x 21 3/4" deep

NO NEED TO CLEAR YOUR DESKTOP Items up to 18" can remain on the desktop even plugged in when you lower the bed down. There is a 1" gap behind the desktop for your cords to travel. When bed is opened, desktop rests directly on the ground. Always check that the area under the desktop is clear before lowering the bed.





QUEEN -AW50

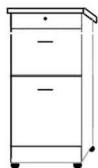


ACCEPTS STANDARD QUEEN MATTRESS UP TO 10" THICK

STORAGE CABINETS— 90" HIGH TO LINE UP AT THE TOP

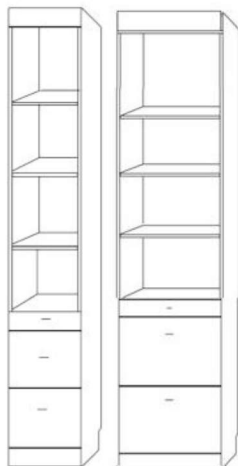
FC

ROLLING FILE CART
LATERAL FILE DRAWER
WITH 2 ADDITIONAL
DRAWERS

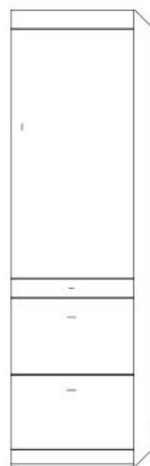


FITS UNDER THE DESK
ROLLS AWAY TO LOWER
THE BED

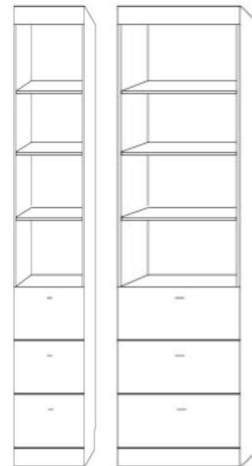
CART MEASURES:
16 5/8" wide
x 28 1/2" high x 21 3/4" deep



2 LATERAL FILE DRAWERS
AND A PENCIL DRAWER
LQS 16" WIDE

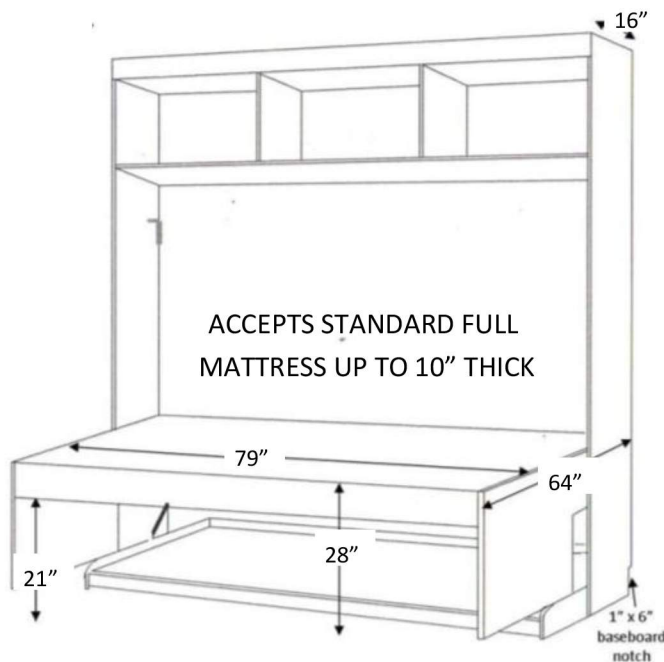
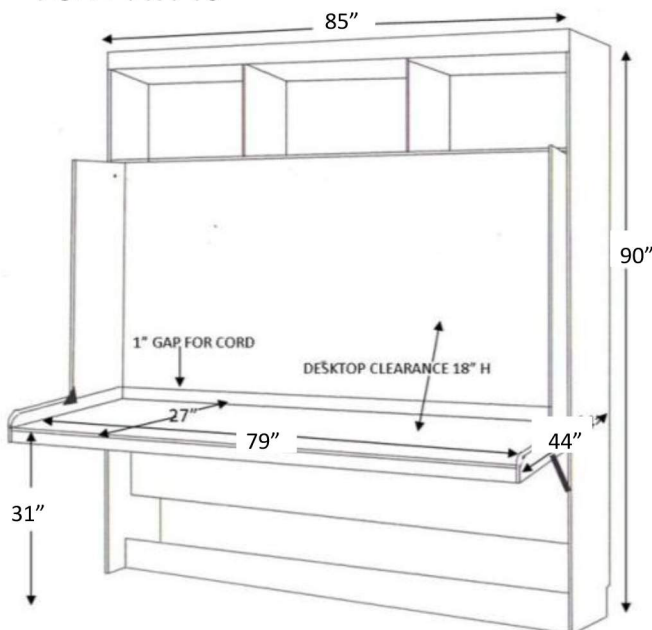


WARDROBE DOOR WITH
CLOTHES HANGAR,
2 LATERAL FILE DRAWERS
AND A PENCIL DRAWER
PXQ -24" WIDE



3 DRAWERS
TQS 16" WIDE
PTQ 24" WIDE

FULL -AW46



ACCEPTS STANDARD FULL MATTRESS UP TO 10" THICK

SMART ENGINEERING

Large desktop for all your projects. Wood mattress surround to tuck in your bedding-no needs to remove the bedding to close up the bed. Pillows do need to be removed.

Accepts mattress up to 10" deep. TO OPEN-stand to one side and grab the top of the side of the desk and pull. Once started the piston lift system takes over as the bed with the desk slowly descend down to the floor.



AVALON DESKBED WITH HUTCH

Full Size Avalon in Bark Gray Finish

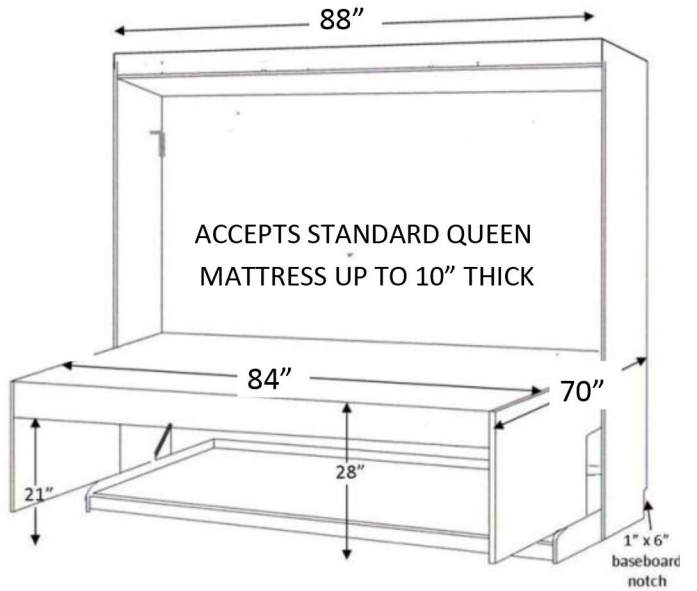
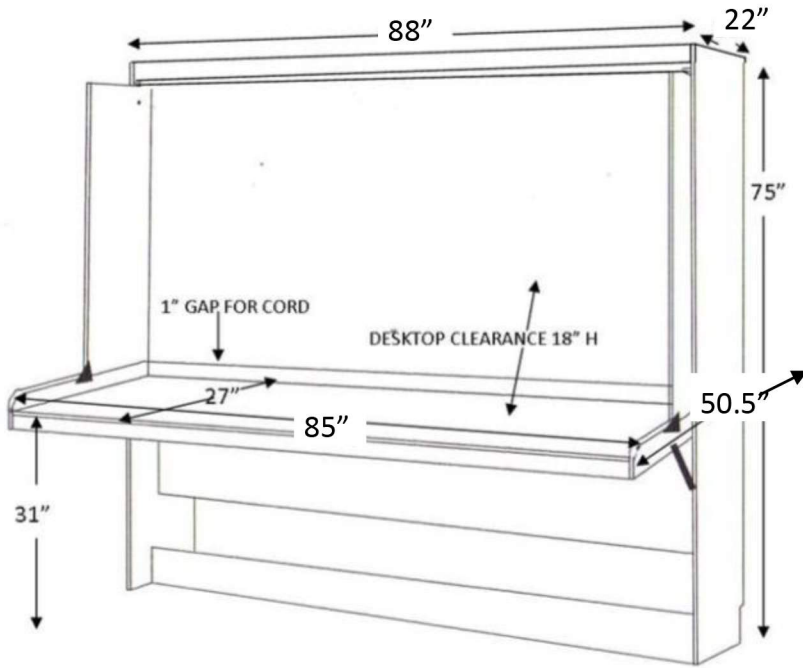
AW46 BG



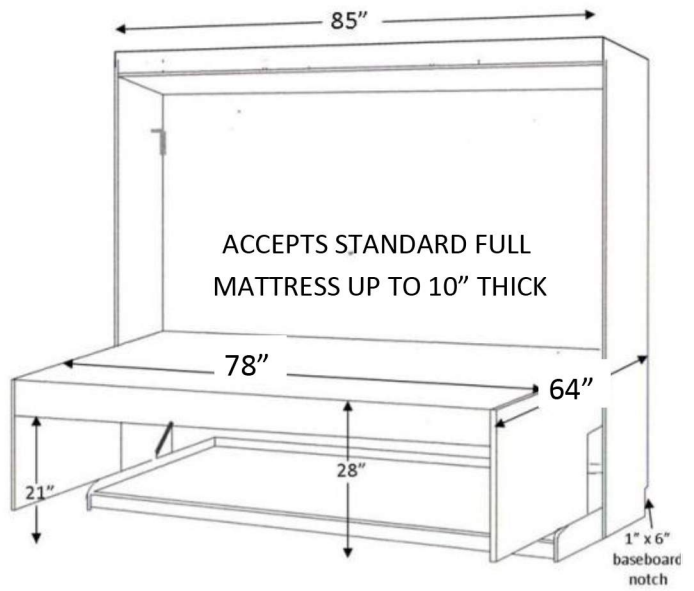
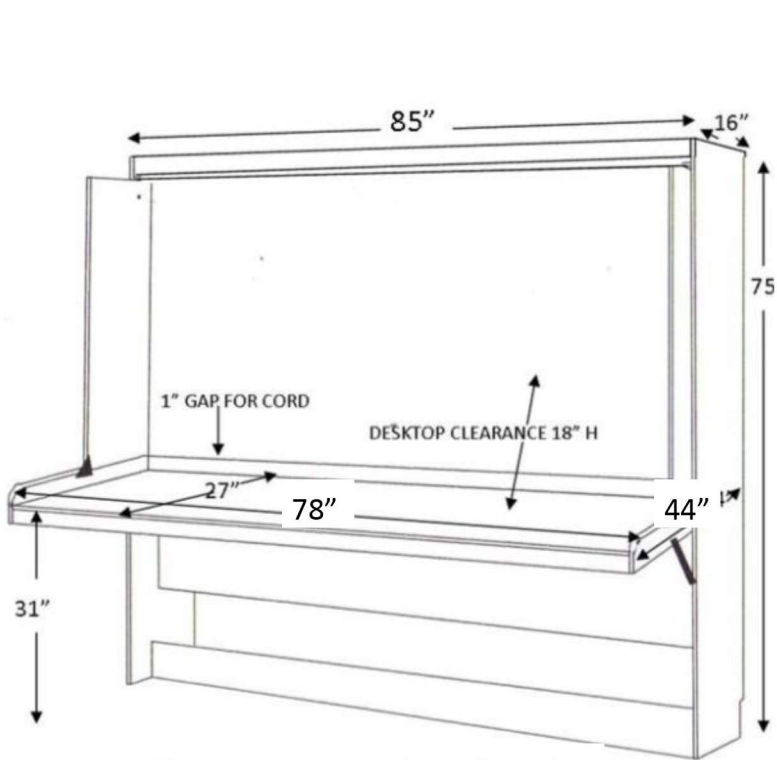
Some models not available in all markets *

* Made in the U.S.A.

AVALON DESK BED

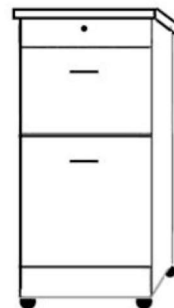


AB50 Queen Horizontal Desk Bed



AB46 Full Size Horizontal Desk Bed

CART MEASURES:
16 5/8" wide
x 28 1/2" high x 21 3/4" deep



FC
ROLLING FILE CART
LATERAL FILE DRAWER
WITH 2 ADDITIONAL
DRAWERS

FITS UNDER THE DESK
ROLLS AWAY TO LOWER
THE BED



CHOCOLATE FINISH



AVALON DESK BED

FULL SIZE SKU:AB46



SUNSET FINISH



SIDE STORAGE CABINET OPTIONS

Please Specify LEFT or RIGHT side when facing the Wallbed

NIGHTSTAND PIER with DOOR
2 drawers, pull out tray table, open shelf and upper door.

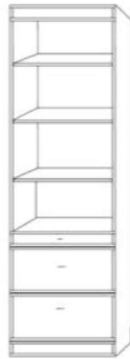


PUF 24 x 85
PUQ 24 x 90

NIGHTSTAND PIER CABINET
2 drawers, pull out tray table with open adjustable shelves

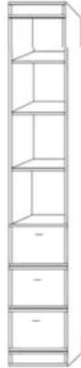


NFS 16 x 85
NQS 16 x 90



PNF 24 x 85
PNQ 24 x 90

3 DRAWER PIER CABINET 3 drawers with open adjustable shelves



FFS 16 x 85
FQS 16 x 90



PTF 24 x 85
PTQ 24 x 90



PGF 32 x 85
PGQ 32 x 90

LATERAL FILES PIER CABINET
2 file drawers, pencil drawer with open adjustable shelves.

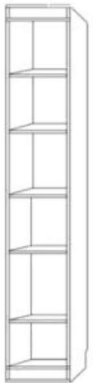


LFS 16 x 85
LQS 16 x 90

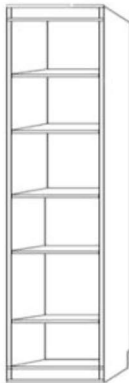


PLF 24 x 85
PLQ 24 x 90

BOOKCASE



BFS 16 x 90
BQS 16 x 90



PBF 24 x 85
PBQ 24 x 90

DOOR - DRAWERS
3 drawers, And upper door with 2 shelves.

Specify left or right side Door handle when facing the pier cabinet.



WFS 16 x 85
WQS 16 x 90

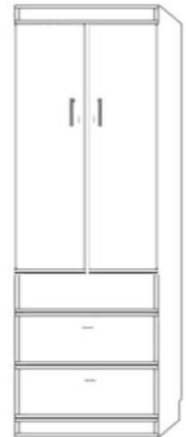
DOOR - FILE
2 lateral file drawers, Pencil drawer and upper door with shelves.

Specify left or right side Door handle when facing the pier cabinet.



XFS 16 x 85
XQS 16 x 90

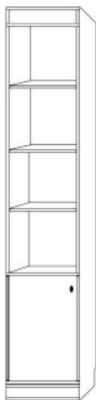
GUEST WARDROBE
3 drawers with upper doors with clothes valet.



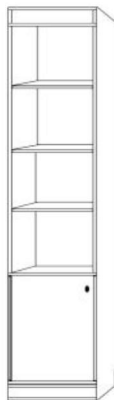
PWU 32 x 85

WARDROBE
3 drawers, upper door with clothes valet.

Specify left or right side Door handle when facing the pier cabinet.



DFS 16 x 85
DQS 16 x 90



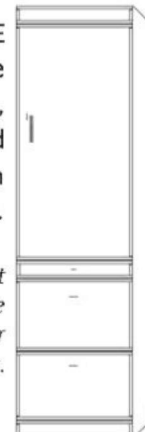
PCF 24 x 85
PCQ 24 x 90

FILE WARDROBE
2 lateral file drawers, Pencil drawer and upper door with clothes valet.

Specify left or right side Door handle when facing the pier cabinet.



PWF 24 x 85
PWQ 24 x 90



PXF 24 x 85
PXQ 24 x 90

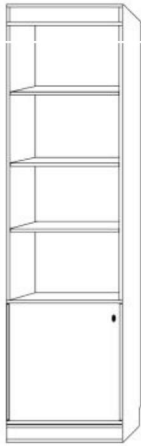
Options are subject to change without notice *

SIDE STORAGE CABINET OPTIONS

Please Specify LEFT or RIGHT side when facing the Wallbed

GLEN ELLYN, JAZZ, KEYSTONE, LODGE, SARATOGA, HERITAGE AND WOODLAND

ADD 2 1/2" TO WIDTH FOR CROWN MOLDING



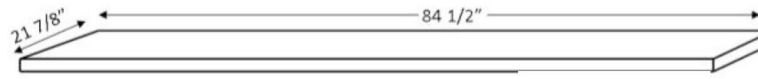
PCF 24 x 85

PCQ 24 x 90

PENINSULA DESK- STRAIGHT DESKTOP SET SKU: PCF or PCQ and FD

Straight desktop must be received by the DOOR CABINET (PCF or PCQ)

14 1/2" of the desktop slides into the door cabinet.



Pencil drawer
Medium Drawer
Lateral File Drawer

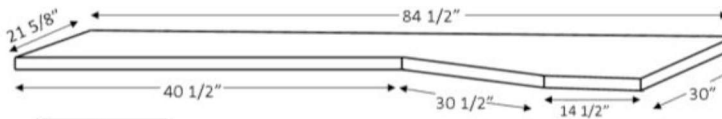


FD includes desktop

PENINSULA DESK- SHAPED DESKTOP SET SKU: DFL or DQL and LD

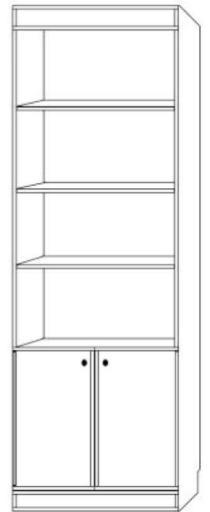
Shaped desktop must be received by the 2 DOOR CABINET

(DFL or DQL) 14 1/2" of the desktop slides into the door cabinet.



Pencil drawer
Medium Drawer
Lateral File Drawer

LD includes shaped desktop



PCF 24 x 85

PCQ 24 x 90

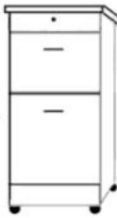
FILE CART

SKU: FC

16 5/8" w x 28.5" h x

21 3/4" d

LATERAL FILE
DRAWER,
MEDIUM DRAWER
AND PENCIL DRAWER
ON CASTORS.



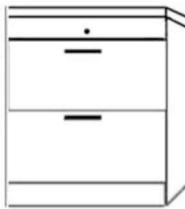
NIGHTSTAND

SKU: NS

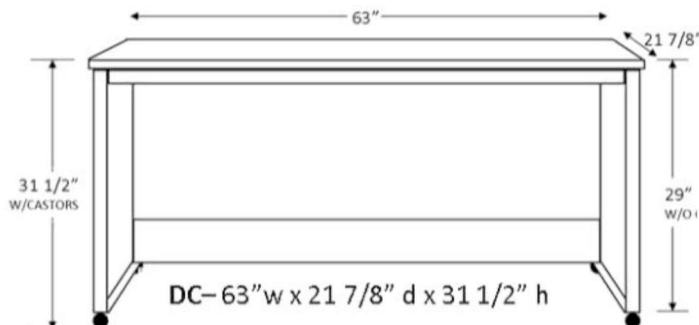
24 w x 28" h x

17" d

2 DRAWERS,
AND
PENCIL DRAWER



DESK CART with castors SKU: DC



DC-63" w x 21 7/8" d x 31 1/2" h



48" long
drop down
desk with
adjustable
shelves



MURPHY DESK PAF 24 x 85

Specify left or right side facing

ABOUT THE MECHANISM

Our beds utilize a safe piston lift system. It provides the longest life we could find, and are easy to replace when they have rare problems. Frankly, when we began all this the standard of the industry for nearly a hundred years was still metal springs. We wondered why, if the auto industry had improved their lift for hoods and hatchbacks, this industry hadn't. Our gas pistons have been tested in both lab and use conditions for 16,000 cycles with no noticeable wear or change in performance. Last of all if a piston fails, which we see on only 1 of 5000 cases, it does so by quietly losing its power.

ABOUT BIRCH

Birch is a durable and timeless hardwood that expands and contracts with changes in humidity and may color over time as it's exposed to air, sunlight and wear. Our premium grade solid woods and solid wood veneers are sustainably harvested from domestic sources. Our veneers are created by slicing thin sheets from solid wood and applying them over core panels. Using veneers in combination with solid wood gives greater stability while reducing expansion and contraction due to humidity. Color, grain and markings may vary with each piece. Our lacquer is a clear, low sheen finish that seals and helps protect surfaces, while highlighting the natural beauty of real wood. Lacquer is formulated to hold up well to daily use but take care to avoid direct heat. To care for your furniture-just wipe with a soft damp cloth and then dry the surface immediately. All wood is susceptible to scratches and dings so use coasters and pads to protect your furniture.

CARE OF YOUR SPECIALTY MURPHY WALLBED

Inspect your Murphy Wall bed annually to ensure that it is securely fastened to the wall. Dust with a soft, clean cloth slightly moistened with water, and dry completely with another clean cloth, always rubbing with the grain. Avoid contact with cigarettes, hot dishes, and harsh solvents such as nail polish, alcohol and moisture. Use pads beneath accessories and when writing or eating. Remove spills and smudges immediately. Do not leave pliable plastic materials on a wood surface; they can damage the finish. Do not place furniture near heat outlets, windows, or in direct sunlight.



Please refer to our website for additional product photos and information

All products are made in the U.S.A.

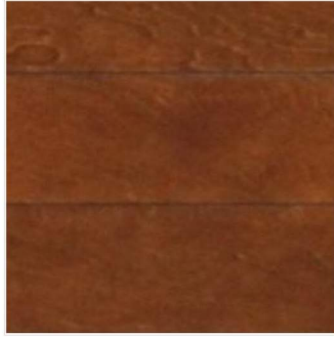
Some models not available in all markets * Options are subject to change without notice *

FINISH OPTIONS

Options are subject to change without notice *



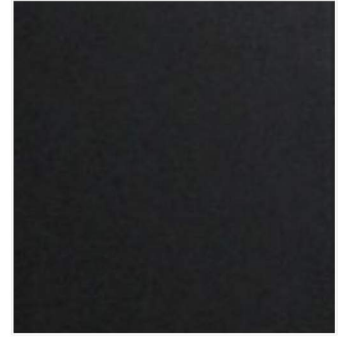
CARAMEL (B)



COGNAC (R)



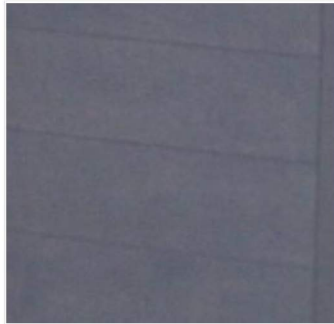
CINNAMON (E)



CHOCOLATE (D)



GRAY (G)



BARK GRAY (BG)



MAPLE (M)



SUNSET (S)

Slight variation in color will occur between this and the actual product. Actual product may also have grain pattern, character markings and dark or light variations. The overall appearance will provide an even coloring , but subtly reveal the joinery seams and wood grain effects of your true wood furniture.



WHITE (W)



NATURAL (N)

DECORATIVE HARDWARE OPTIONS

BRISTOL, GLEN ELLYN, JAZZ, LODGE, KEYSTONE, NANTUCKET, TAHOE, RYLAND, YELLOWSTONE, PORTOLA, SARATOGA and WOODLAND.



#11 CODY NICKEL



#12 CODY BRONZE



#8 ATHERLY NICKEL



#6 ATHERLY BRONZE



#13 BRONZE BAR



#3 NICKEL BAR



#10 CODY BLACK



#9 BRUSHED GOLD

DALE, EURO, METRO



#13 BRONZE BAR



#3 NICKEL BAR

METRO



#9 BRUSHED GOLD



#4 BLACK CUP

BRISTOL



#2 NICKEL CUP



#7 BRONZE TWIST